

# SBS Tanks<sup>®</sup>

USA



USA

+1 (832) 702 7430

[www.sbstanksusa.com](http://www.sbstanksusa.com)



# COMPANY OVERVIEW

The SBS® Group is a leading provider of innovative water storage tanks. Established in South Africa in September 1998, SBS has expanded its reach with offices across Southern Africa, East Africa, and the USA, supported by an extensive dealer and distributor network worldwide.

SBS Tanks' water storage reservoirs are engineered, designed, and developed to harness and secure resources globally, adhering to the highest internationally recognized quality and safety standards. Alongside ISO 9001:2015 certification, SBS holds accreditations from various industry bodies relevant to the regions and sectors we serve, including ISF and NFPA 22.

With a dedicated team of over 150 professionals, SBS focuses on delivering effective, custom-designed water tank solutions to a wide range of sectors. Our staff possess in-depth knowledge of compliance requirements, international logistics, and the unique challenges faced by our clients.

## WHY CHOOSE SBS®?

- **Technologically advanced design:**  
Precision-engineered for rapid deployment and longevity, SBS® Tanks' modular design offers simple transportation, seamless installation, and scalable solutions with immediate commissioning –ideal for remote locations, industrial sites, and off-grid applications
- **World-class production with international compliance:**  
Manufactured under ISO 9001:2015 standards, SBS® Tanks meet NFPA, AWWA, and other stringent industry regulations for fire protection, construction, water infrastructure, and industrial storage, ensuring durability, safety, and long-term reliability
- **Expert engineering and project management:**  
Our in-house engineering team collaborates with leading industry experts to design customized, high-performance storage reservoirs. With over two decades of experience, SBS® Tanks' dedicated project managers and specialized installation teams ensure on-time delivery and flawless execution
- **Professional accreditation and affiliations:**  
SBS® Tanks meet onerous Health & Safety standards in Oil & Gas, Mining, Fire, Agricultural and other Industrial sectors, demonstrating our capacity and ability to deliver certified, sector-specific solutions for demanding applications.
- **Track record and long-term partnerships**  
With 4,500+ global installations, SBS® Tanks is a trusted partner, fostering long-term relationships with clients, engineers, and municipalities to deliver quality, innovation, and performance
- **Dedicated to employee development and transformation:**  
We aim to Work Smart, Commit Wholeheartedly and Build for Better in everything we do.

USA

+1 (832)702 7430

[www.sbstanksusa.com](http://www.sbstanksusa.com)





# SBS TANKS USA® OVERVIEW

Water is needed for every process in business. Access to clean water and sanitation for all has become a global priority. However, water scarcity is a global concern. Climate change, population growth, the rising costs of water and rapid urban expansion have resulted in increased demand for alternative water supply solutions. Sustainable and responsible water consumption, rainwater harvesting, and the recycling of water need to become global business and community priorities.

SBS Tanks USA® offers a comprehensive range of water security solutions proven to be effective and reliable for use in the **Mining, Fire Protection, Utilities, Commercial, Agricultural and Ranch and Rainwater Harvesting** sectors. The SBS Tanks water storage solution range includes the **Standard, Cyclonic, Engineered Solution, and Lite** ranges suitable for the storage of potable water, effluent, leachate, saltwater, and several other industrial liquids.







Established in 2016, SBS Tanks USA® has become the preferred provider for sustainable water and liquid storage solutions across several sectors. We embrace innovation and as a result, we remain at the forefront of the water storage space, introducing and developing technologically advanced systems such as our Galvalume steel panel water reservoirs and tanks, liquid storage liners, time- and cost-effective on-site build and cyclone, earthquake tremor and extreme weather resistant structures.

## PRODUCT FEATURES

The SBS® Tanks range offers capacities ranging from 3170 gallons to 1.1 million gallons. The modular nature of the tank allows for quick installation, no matter how remote the site, with no heavy equipment and minimal site preparation required. In addition to an expected lifespan of 60+ years, SBS® provides an industry standard 12-month workmanship and materials guarantee. Liquids are stored in a multi-layer woven liner (PVC or NSF/ANSI 61 accredited), preventing contact with the tank structure, and further reducing corrosion risk factors. A conditional 20-year No-Leak guarantee is applicable provided that the tank is installed by an approved SBS® installation team.

SBS® Tanks have been developed in collaboration with skilled engineering professionals, adept at dealing with extreme weather and site access conditions. The Standard range has a wind rating of 96mph (43m/sec or 154kph) while the Cyclonic range is designed to withstand wind speeds of up to 150mph (67m/sec or 240kph), rated for regions with a high incidence of meteorological hazards. Any SBS water tank can be designed to suit earthquake zones and cyclonic regions experiencing tropical storms, hurricanes, typhoons and other high-velocity wind events.

## PRODUCT APPLICATIONS

-  Fire Protection - Fire sprinkler and hydrant water storage.
-  Commercial - Emergency back-up water supply, wastewater collection, storage and processing and liquid and chemical storage.
-  Mining - Water and liquid/chemical storage.
-  Utilities - Bulk raw, seawater and potable water storage and effluent and wastewater treatment storage plants.
-  Ranch & Rainwater Harvesting - Rainwater harvesting and storage.
-  Agricultural - Irrigation, aquaculture, process water and potable water storage



# SBS LIQUID STORAGE TANK DATA SHEET

	Standard Range (ST)	Cyclonic Range (CY)	Lite Range (LT)
<b>WALL STRUCTURE</b> Galvalume steel panels with thickness conforming to ISO 9364 and profiled to SBS Tanks unique design	22-6 total gauge	18-3 total gauge	20 total gauge
<b>STEEL GRADE</b> G300 Galvalume	X	X	X
<b>PROTECTIVE COATING</b> Galvalume (Zinc/Aluminum Alloy), AZ150 heavy duty coating. Additional coatings available to meet varying environmental conditions and applications	X	X	X
<b>COLOR RANGE</b> Mill finish – silver, standard. All SBS Tanks can be supplied epoxy powder coated or painted with approved primers and paints.	X	X	N/A
<b>ESTIMATED LIFE</b> 60+ Years under normal climate and operational conditions	X	X	N/A
<b>LINER</b> Multi-layer woven PVC liner. Tested to NSF/ANSI 61 (Potable water) specifications and AS/NZS 4020-2005 (Drinking water) standards. Ethylene-based chemical resistant liners available on request, for storage of various liquids.	PVC 21.24 Oz/yd <sup>2</sup> , PVC 29.5 Oz/yd <sup>2</sup> , NSF61, XR5	PVC 21.24 Oz/yd <sup>2</sup> , PVC 29.5 Oz/yd <sup>2</sup> , NSF61, XR5	PVC 21.24 Oz/yd <sup>2</sup>
<b>BOLT SPECIFICATIONS</b> Proprietary SBS® bolt design M10 (7/16”) & M12 (1/2”) with serrated flange head. Hot dipped galvanized to SANS 121:201150 & ISO 1461:2022 standards. All bolts are high tensile 8.8 grade. Bolt test certifications available on request.	X	X	X
<b>DOME ROOF</b> Galvalume steel corrugated sheets. G550 high tensile grade with AZ150 coating. All trusses are hot dipped galvanized after fabrication. Clear span self-supporting roof with no center post.	26 total gauge	26 total gauge	26 total gauge
<b>OUTLETS/INLETS</b> All fittings/nozzles are manufactured from mild steel and hot dipped galvanized to SANS 121:201150 & ISO 1461:2022 standards after fabrication. Stainless steel and HDPE fittings are available on request.	X	X	X
<b>GUARANTEE &amp; WARRANTY</b> SBS Tanks® carry an industry standard 12-month workmanship and materials guarantee and a 20-year non-leak guarantee is applicable, provided that the tank is installed by an approved SBS® installer.	Conditional 20 year no-leak guarantee 12 month workmanship guarantee	Conditional 20 year no-leak guarantee 12 month workmanship guarantee	N/A due to DIY nature
<b>WEATHER, WIND &amp; SEISMIC SPECIFICATION</b> SBS Tanks are designed and suited for regions with varying incidence of meteorological hazards. With standard wind ratings across our ranges, our SBS Tanks® can be individually designed to suit earthquake zones, cyclonic regions, heavy industrial or highly specialized environments.	Wind rating 96mph  Seismic Capabilities	Wind rating 150mph  Seismic Capabilities	Average regional wind speed
<b>MANUFACTURING TIME</b> Standard range, ex-stock, immediately available. Nonstock items typically 4-8 weeks ex-factory, quantity, and model dependent.	X	X	X
<b>DELIVERY TIME</b> Typically, 6-8 weeks, ex-factory. Sea freight times vary based on port & carrier capacity	X	X	X
<b>INSTALLATION TIME</b> Typically – 1-day ST05/02, 5020 gal (on site work) 3 days ST18/02, 68 840 gal (on site work) 15-17 days ST31/09, 872 300 gal (on site work)	X	X	Quicker
<b>SITE PREPARATION</b> Level site capable of supporting 2,089 psf with sand bed or concrete ring beam as required. Site preparations to be arrange by client in accordance with engineers' recommendations prior to installation of SBS Tanks.	Concrete Ring Beam	Concrete Ring Beam	Compacted Sand Bed / Concrete Ring Beam

USA

+1 (832)702 7430

[www.sbstanksusa.com](http://www.sbstanksusa.com)



# LINER SPEC DATA SHEET

## SBS POTABLE LINER Data Sheet AS/NZS4020 approved

- DESCRIPTION** Potable water liner/bladder consisting of high-density polyester yarn coated on both sides with PVC.
- MANUFACTURING** The potable liner fabric is manufactured for SBS Tanks in an ISO 9001:2015 certified facility.
- APPROVALS** Approved by the Australian water quality centre standard AS/NZS 4020-2005: Testing of products for use in contact with Drinking Water
- END USE** As an internal liner/bladder for sole use with SBS Tanks

TEST	METHOD	UNIT	WARP	WEFT
Tensile strength	SANS 1421: 1998	N/50mm	2500	2200
Tear strength	ISO 4674-1: 2016 Method B	N	300	250
Weld Adhesion	ISO 2411: 2017	N/25mm	40	
Flame Retardancy	SANS 1287-1: 2007	s	NA	
Electrical Resistance	SANS 5880: 2008	MΩ	NA	
Fusion	5min in Acetone		No flaking	

## SBS POTABLE LINER Data Sheet - NSF/ANSI 61

- DESCRIPTION** Potable water liner/bladder consisting of high-density polyester yarn coated on both sides with PVC.
- MANUFACTURING** The potable liner fabric is manufactured for SBS Tanks in an ISO 9001:2015 certified facility.
- APPROVALS** Approved by NSF/ANSI 61 (Potable water)
- END USE** As an internal liner/bladder for sole use with SBS Tanks

PROPERTIES		
TEST & METHOD	IMPERIAL	METRIC
Base Fabric	Polyester 1,000 Den 5.9 [Oz/yd <sup>2</sup> ]	Polyester 1,100 Dtx 200 [gr/m]
Total Weight ASTM D 751	21.8 [Oz/yd <sup>2</sup> ]	740 [gr/m <sup>2</sup> ]
Breaking Strength - Strip ASTM D 751 method B	315 / 315 [lbs/inch]	2800 / 2800 [N/5 cm]
Breaking Strength - Grab ASTM D 751 method A	440 / 400 [lbs]	2000 / 2000 [N]
Tear Strength - Single Rip ASTM D 751 method B, DIN 53356	70 / 45 [lbs]	300 / 300 [N]
Tear Strength - Double Rip ISO 4674	130 / 120 [lbs]	600 / 550 [N]
Tear Strength - Trapez DIN 53363	55 / 55 [lbs]	250 / 250 [N]
Adhesion (HF Welding) ASTM D 751	13.5 / 13.5 [lbs/inch]	120 / 120 [N/5 cm]
Blocking Resistance Fed. St. 191-5872, 6 hrs @ 70°C	#1	
Seam Strength, ASTM D 751 Procedure B, 2" overlap seam (1" width seam)	Break outside seam	
Heat Resistance	Up to 158°F	Up to 70°C
Cold Bend ASTM D2136	-40°F	-40°C
Abrasion (Tabler) ASTM D 3389 Weight loss (H-22, 1,000 gr)	<250 [mg/1000 cycles]	
Weathering - 7,500 hours ASTM G 154 UVA 8 hrs, 60°C, 4 hrs. cond. 50°C	Very slight color change	



# GROSS CAPACITY CHART

Capacity measured in US gallons x 1000

MODEL	DIAMETER (ft)	NUMBER OF RINGS & WALL HEIGHT (ft)									
		2	3	4	5	6	7	8	9	10	11
		7'	10'5"	13'9"	17'2"	20'7"	23'12"	27'4"	30'10"	34'2"	37'7"
ST04	8' 11"	3.31									
ST05	11' 2"	5.16	7.64	10.13	12.63	15.15					
ST06	13' 5"	7.42	11.00	14.57	18.18	21.79	25.36				
ST07	15' 8"	10.14	15.02	19.90	24.83	29.76	34.65				
ST08	17' 11"	13.23	19.61	25.97	32.40	38.84	45.21				
ST09	20' 2"	16.73	24.79	32.84	40.98	49.11	57.17				
ST10	22' 5"	20.64	30.59	40.53	50.56	60.60	70.54	80.48	90.61	100.45	110.49
ST11	24' 8"	25.04	37.09	49.14	61.31	73.48	85.53	97.58	109.87	121.80	133.97
ST12	26' 10"	29.78	44.11	58.44	72.92	87.39	101.72	116.05	130.67	144.87	159.33
ST13	29' 1"	34.92	51.74	68.55	85.53	102.51	119.31	136.13	153.27	169.92	186.90
ST14	31' 4"	40.49	59.97	79.47	99.15	118.82	138.31	157.80	177.66	196.97	216.64
ST15	33' 7"	46.55	68.96	91.37	113.99	136.61	159.02	181.43	204.27	226.46	249.08
ST16	35' 10"	52.94	78.42	103.90	129.63	155.36	180.84	206.32	232.30	257.54	283.27
ST17	38' 1"	59.74	88.49	117.25	146.28	175.32	204.07	232.82	262.14		
ST18	40' 3"	66.95	99.17	131.39	163.93	196.47	228.69	260.92	293.77		
ST19	42' 7"	74.68	110.63	146.58	182.87	219.17	255.11	291.06	327.71		
ST20	44' 9"	82.72	122.54	162.35	202.55	242.76	282.57	322.38	362.97		
ST21	47' 0"	91.17	135.04	178.93	223.23	267.54	311.42	355.31	400.04		
ST22	49' 3"	100.02	148.17	196.31	244.93	293.54	341.68	389.83	438.90		
ST23	51' 6"	109.43	162.11	214.77	267.96	321.15	373.82	426.49	480.19		
ST24	53' 9"	119.12	176.45	233.79	291.68	349.56	406.90	464.23	522.68		
ST25	55' 12"	129.21	191.41	253.60	316.40	379.19	441.39	503.58	566.98		
ST26	58' 2"	139.72	206.97	274.22	342.12	410.02	477.28	544.52	613.08		
ST27	60' 6"	150.80	223.38	295.97	369.25	442.54	515.13	587.70	661.70		
ST28	62' 8"	162.14	240.17	318.21	397.00	475.80	553.83	631.87	711.43		
ST29	64' 11"	173.88	257.57	341.26	425.76	510.26	593.96	677.64	762.96		
ST30	67' 2"	186.04	275.57	365.11	455.52	545.94	635.47	725.01	816.29		
ST31	69' 5"	198.79	294.47	390.14	486.75	583.36	679.03	774.72	872.25		
ST32	71' 8"	211.94	313.95	415.96	518.96	621.97	723.97	825.99	929.98		
ST33	73' 11"	225.40	333.88	442.37	551.92	661.46	769.95	878.44	989.03		
ST34	76' 2"	239.25	354.40	469.56	585.83	702.11	817.26	932.42	1,049.81		
ST35	78' 5"	253.53	375.57	497.60	620.82	744.03	866.06	988.09	1,112.49		

ST & CY Range
ST Range Only
ES Range Only\*

**\*Engineered Solution (ES)**  
 These tanks will require additional site information, and geotechnical studies and will be subject to final pricing and design confirmation.

USA

+1 (832)702 7430

[www.sbstanksusa.com](http://www.sbstanksusa.com)





# SBS TANKS LITE RANGE (LT RANGE)

Capacity measured in US gallons x 1000

The SBS Lite Range offers a high quality, value for money water storage tank with larger capacities and longer life span than plastic tanks along with a simple DIY installation. These attractive and functional products are best suited for installation in agricultural & rainwater harvesting installations at small holdings, rural homes, nurseries, farms, and small businesses. SBS LT range is available ex-works (factory) DIY for tradesmen or assisted installed.

TANK CAPACITY (gal)				
MODEL	DIAMETER (ft)	RINGS AND WALL HEIGHTS (ft)		Nozzle sizes
		2 6'66"	3 9'68"	
LT01	2'22"	0,195		2 inch or 3 inch
LT02	4'5"	0,785	1,139	
LT03	6'7"	1,762	2,562	
LT04	9'0"	3,133	4,557	
LT05	11'2"	4,898	7,122	
LT06	13'5"	7,051	10,255	
LT07	15'7"	9,597	13,959	2 inch, 3 inch or 4 inch
LT08	17'9"	12,535	18,231	
LT09	20'1"	15,866	23,073	
LT10	22'4"	19,586	28,486	
LT11	24'6"	23,699	34,467	
LT12	26'9"	28,206	41,018	
LT13	29'1"	33,101	48,140	2 inch, 3 inch, 4 inch or 6 inch
LT14	31'4"	38,389	55,830	
LT15	33'6"	44,069	64,091	
LT16	35'8"	50,142	72,922	
LT17	38'1"	56,604	82,321	
LT18	40'3"	63,459	92,291	

TANK MASS (lbs)		
MODEL	RINGS AND WALL	
	2	3
LT01	100	
LT02	265	359
LT03	415	558
LT04	570	761
LT05	736	974
LT06	931	1 217
LT07	1 116	1 450
LT08	1 371	1 753
LT09	1 585	2 015
LT10	1 844	2 321
LT11	2 202	2 726
LT12	2 575	3 147
LT13	2 802	3 422
LT14	3 064	3 732
LT15	3 348	4 196
LT16	3 713	4 618
LT17	4 014	4 975
LT18	4 342	5 359

**Accessory Kit**

1 x inlet, 1 x outlet, 1 x over flow (3" or 4" only), 1 x static vent, tank access hatch with hook-on ladders and a water level.



# SBS POWDER COATING DATA SHEET

The Ferro Vedoc, is a series of polyester based powder coatings designed for the exterior environment, offering excellent light and weather resistance. This superior UV resistant coating is ideally suited where color retention on surfaces exposed to continuous heat is required.

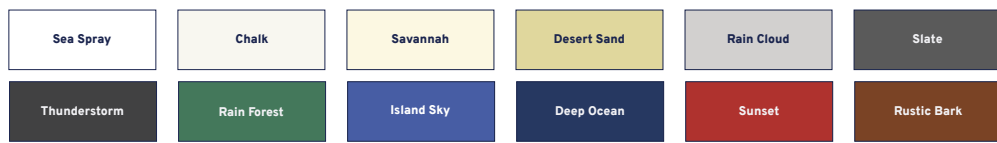
PROPERTIES	TEST & METHOD	GLOSS	SATIN	MATT
Qualicoat		P-1251	-	P-1398
Gloss 60	SANS 2813	80 – 95	40 – 75	15 – 30
Thickness	SANS 2808	60 – 80 µm	60 – 80 µm	60 – 80 µm
Adhesion	SANS 2409	Coefficient rating of 0		
Indentation resistance	ISO 2815	Minimum 80		
Erishsen cupping	ISO 1520	No cracking or detachment at 5mm indentation		
Flexibility	SANS 177	No cracking or detachment at 5mm indentation		
Reverse Impact	ASTM D 2794	2.5Nm	2.5Nm	2.5Nm
Permeability of coating		No blistering or detachment of the coating		
Resistance to atmospheres containing Sulphur dioxide	ISO 3231	No blistering and corrosion creep < 1mm		
Resistance to acetic acid salt fog	SANS 9227	No blistering and delamination and corrosion creep < 4mm		
Resistance to accelerated corrosion		Maximum creep < 0.5mm on either side		
Resistance to artificial weathering	ISO 11341	Residual gloss > 50% of the original		
Resistance to drilling and cutting		No cracking or chipping of the coating		

## STANDARD POWDER COATING COLOR OPTIONS

Our SBS tanks can come in a variety of colors to match existing infrastructure and the surrounding environment.

**Please Note:**

Color represented may vary slightly to those depicted in the swatches below  
 Nonstandard colors: Lead times may vary due to color development and availability of raw materials.



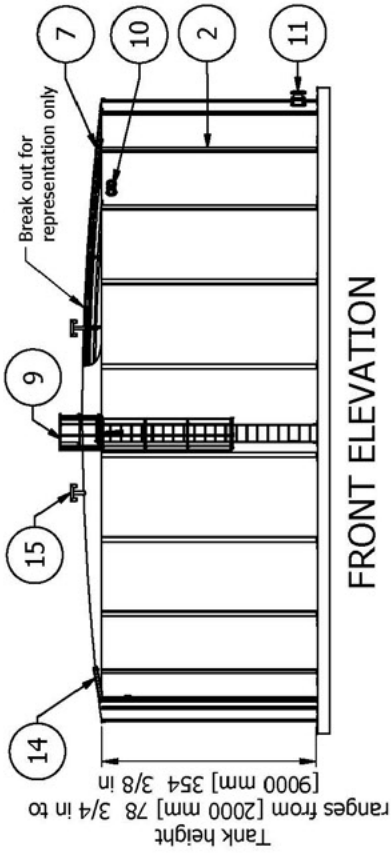
USA

+1 (832)702 7430

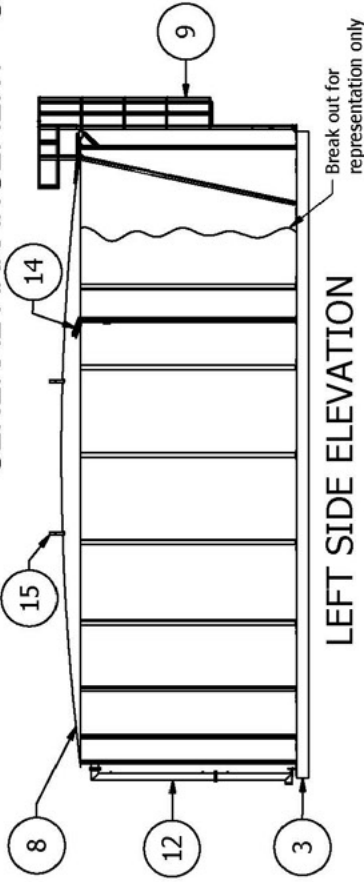
[www.sbstanksusa.com](http://www.sbstanksusa.com)



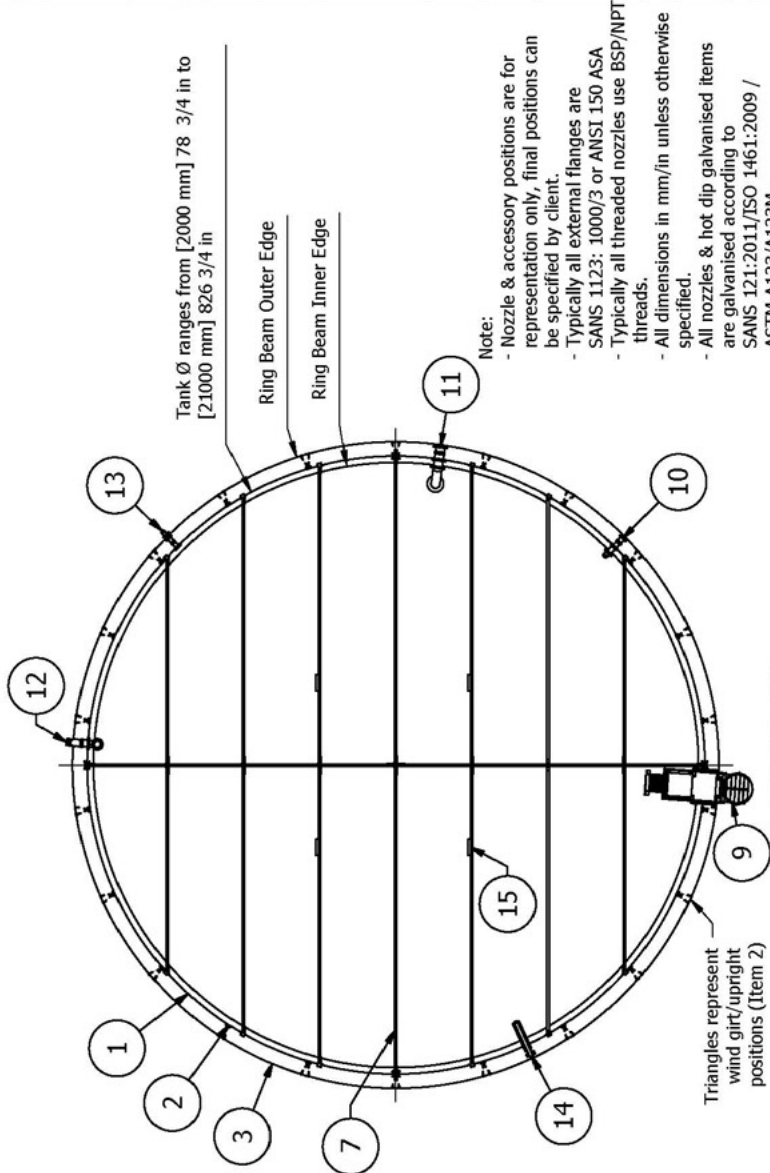
# GENERAL ARRANGEMENT - SBS TANK



FRONT ELEVATION



LEFT SIDE ELEVATION



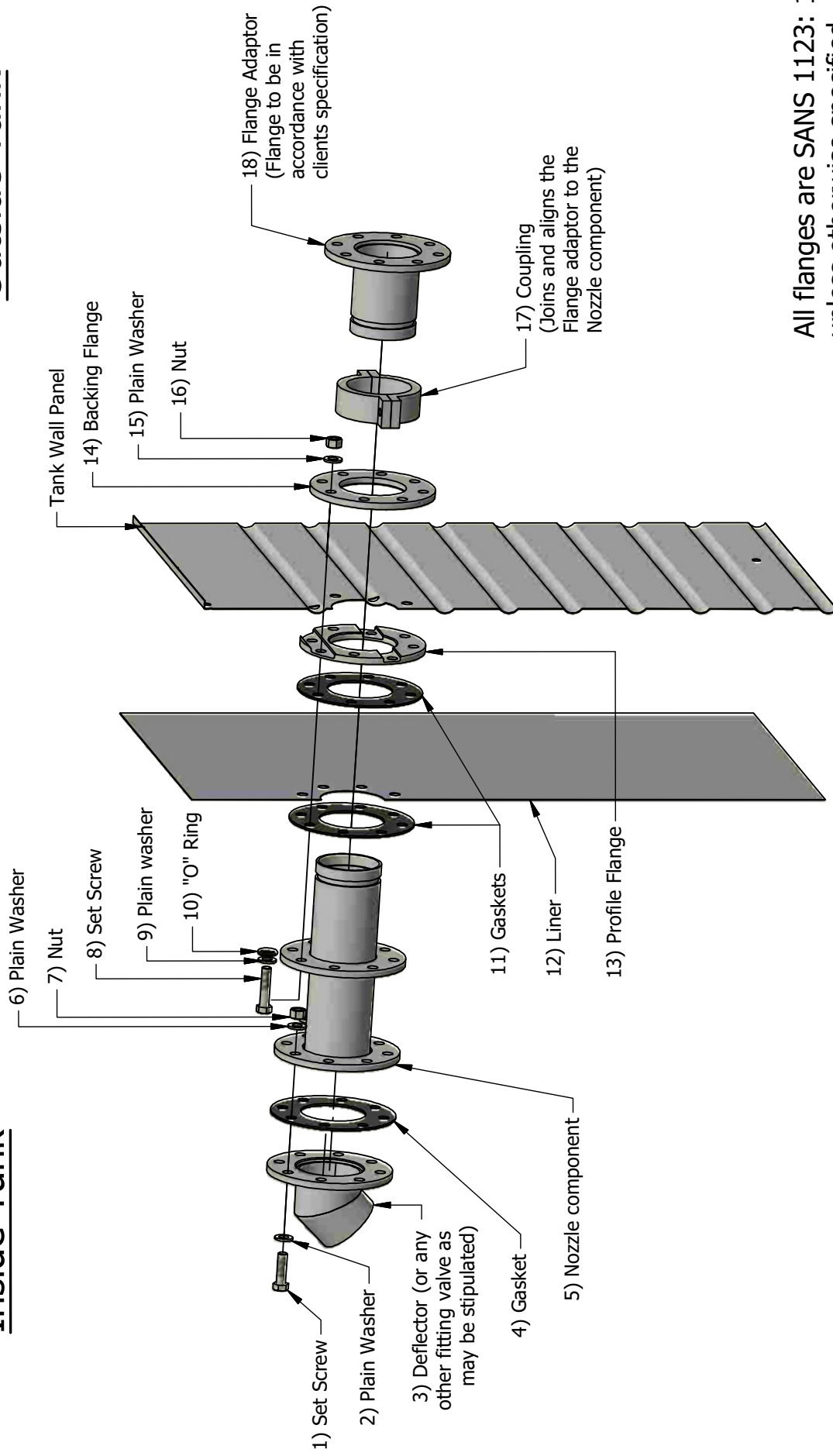
PLAN VIEW

Note:  
 - Nozzle & accessory positions are for representation only, final positions can be specified by client.  
 - Typically all external flanges are SANS 1123: 1000/3 or ANSI 150 ASA  
 - Typically all threaded nozzles use BSP/NPT threads.  
 - All dimensions in mm/in unless otherwise specified.  
 - All nozzles & hot dip galvanised items are galvanised according to SANS 121:2011/ISO 1461:2009 / ASTM A123/A123M.  
 - Drawing not to scale.

TANK & ACCESSORIES PARTS LIST		
ITEM	PART NUMBER	DESCRIPTION
1	Tank Wall Panels	Galvalume steel panels, steel grade G300, with AZ150 heavy duty coating. Panels are bolted together using class 8.8 HDG hex head flanged screws & nuts.
2	Wind Girts/Uprights & Covers	Wind Girts are made from [2.4 mm] 3/32 in hot dipped galvanised sheet metal, punched and bent into profile.
3	Concrete Ring Beam	Reinforced, 25 MPa min.
4	Tank Hold Down Brackets c/w Anchor Bolts	L shaped brackets complete with expansion type anchor bolts.
5	Polyester Geotextile	Fits between concrete ring beam/sand bed and PVC Liner/membrane.
6	Liner	Potable water liner/bladder consisting of high tenacity polyester yarn coated on both sides with grey PVC. The SBS [700 g] 1.54 lbs potable proprietary liner meets AS/NZS 4020-2005.
7	Roof Truss Set	Fabricated from SHS & EA steel, 300 MPa min. Hot dipped galvanised after fabrication.
8	Dome Roof	Galvalume corrugated sheets, [0.47 mm] 1/32 in thick, grade G550, with AZ150 coating.
9	Roof Tank Access	Fixed, complete with internal & external ladders, safety cage with lockable door, platform, [600 mm] 23 5/8 in lockable access hatch, & hand rails.
10	Typical Inlet	Internal deflector, external flange.
11	Typical Outlet	Internal anti-vortex, external flange.
12	Typical Overflow	Internal bell mouth, external downpipe with roll groove termination.
13	Typical Dump Drain	External flange c/w geared butterfly valve & deflector.
14	Typical Water Level Indicator	Mechanical (True Read Type)
15	Typical Ventilator	Static, made from [76 mm] 3 in x [76 mm] 3 in SHS.

## Inside Tank

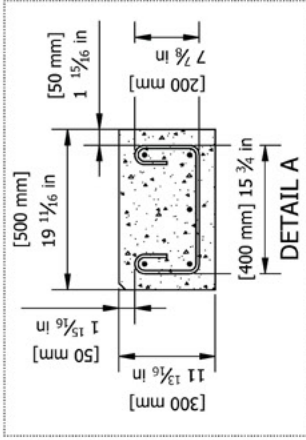
## Outside Tank



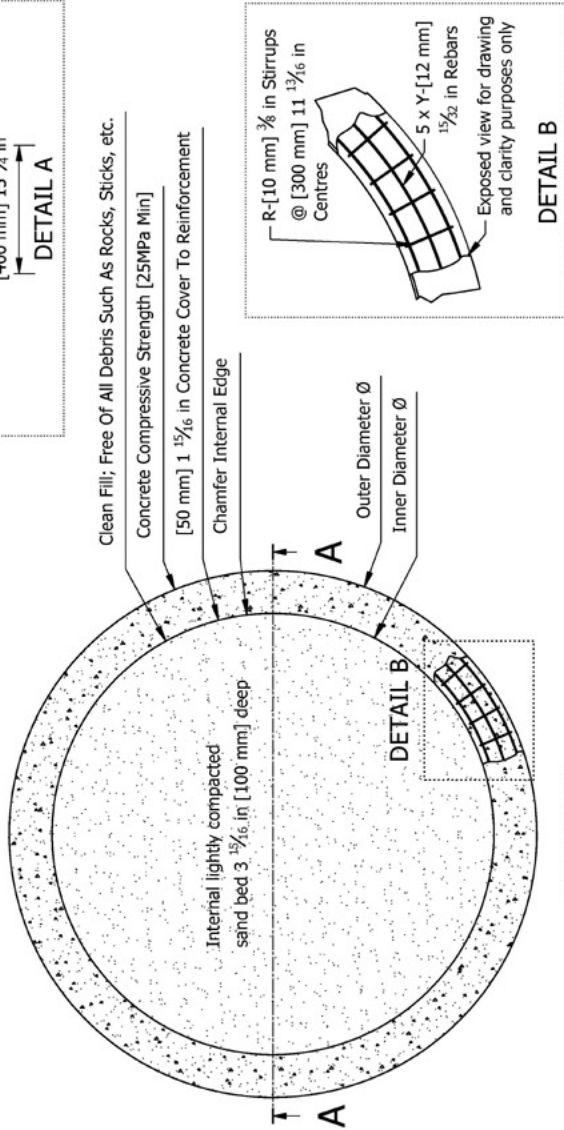
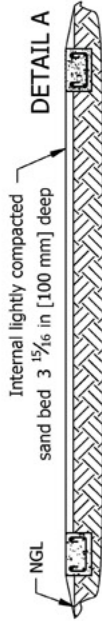
All flanges are SANS 1123: 1000\3 unless otherwise specified

## GUIDELINES AND NOTES

- This document contains the minimum required dimensions and guidelines and is not to be used for construction unless officially issued by an approved engineer or company representative.
- SBS is not responsible for any loss or damage caused by an incorrectly designed or built ring beam.
- Ring beam sizes shown are suitable for geographic areas which do not experience wind speeds exceeding 43 m/s [155 km/h] 96 mph. Should wind speeds in excess of this be expected, then special designs must be prepared.
- It is very important for the client to ensure that foundation conditions are adequate. The requirements are
  - Safe bearing capacity should equal or exceed 14.5 PSI [100 kPa]
  - The founding material must be stable
  - Hand float top surface
- Most sands and gravels that have been compacted to a reasonable level will be adequate, provided that there is stable soil underneath.
- Should there be any doubt about the stability or strength of the foundation, site specific professional engineering advice should be sought.
- In areas with corrosive soil conditions, special protective measures should be used.
- Ring beam dimensions are typical and provided for costing purposes only. Final ring beam dimensions may vary depending on soil conditions, climatic conditions, etc.
- Ring beam width and depth are tank model dependant and allow for specialised jacking when required. Ring beam dimensions must not be altered for any unapproved reason and without any consultation from the supplier.
- Drawing is not to scale



SECTIONAL FRONT VIEW ON A-A



PLAN VIEW



### Construction Tolerances

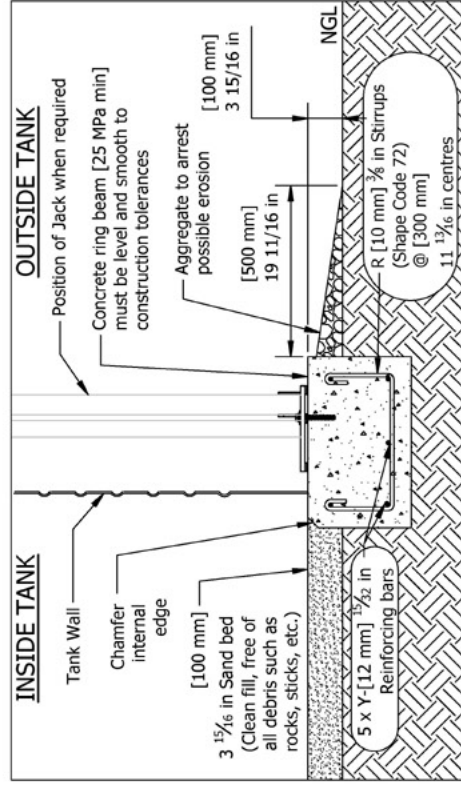
Outside Ø:  $-^{25}_{32}$  in [20 mm]

+0

-0

Inside Ø:  $+^{25}_{32}$  in [20 mm]

Level of top surface:  $\pm \frac{5}{64}$  in [2 mm] over any  $78 \frac{47}{64}$  in [2 m] of circumference at tank wall position.  $\pm \frac{5}{32}$  in [4 mm] over entire ring beam.



FINISHED RING BEAM DETAIL





# SBS Tanks USA

**APPLICATION: MINING**  
**TANK MODEL:** 1 x ST21/03  
**TOTAL CAPACITIES:** 135 000 gallons  
**LOCATION:** El Ciudad, Mexico



**APPLICATION: WATER CONSERVATION**  
**TANK MODEL:** 2 x ST14/04  
**TOTAL CAPACITIES:** 158 000 gallons  
**LOCATION:** Pearl Islands Resort, Panama



**APPLICATION: COMMERCIAL**  
**TANK MODEL:** ST26/05  
**TOTAL CAPACITIES:** 342 100 gallons  
**LOCATION:** Texas, United States of America



**APPLICATION: FIXED FIRE PROTECTION**  
**TANK MODEL:** 1 x ST17/07  
**TOTAL CAPACITIES:** 200 000 gallons  
**LOCATION:** Texas, United States of America



[www.sbstanksusa.com](http://www.sbstanksusa.com)

USA: ☎ +1 (832)702 7430 | +1 (866)922 5974  
 3519 Hickory Hill Lane, Montgomery, Texas TX 77356  
 ✉ [sales@sbstanksusa.com](mailto:sales@sbstanksusa.com)